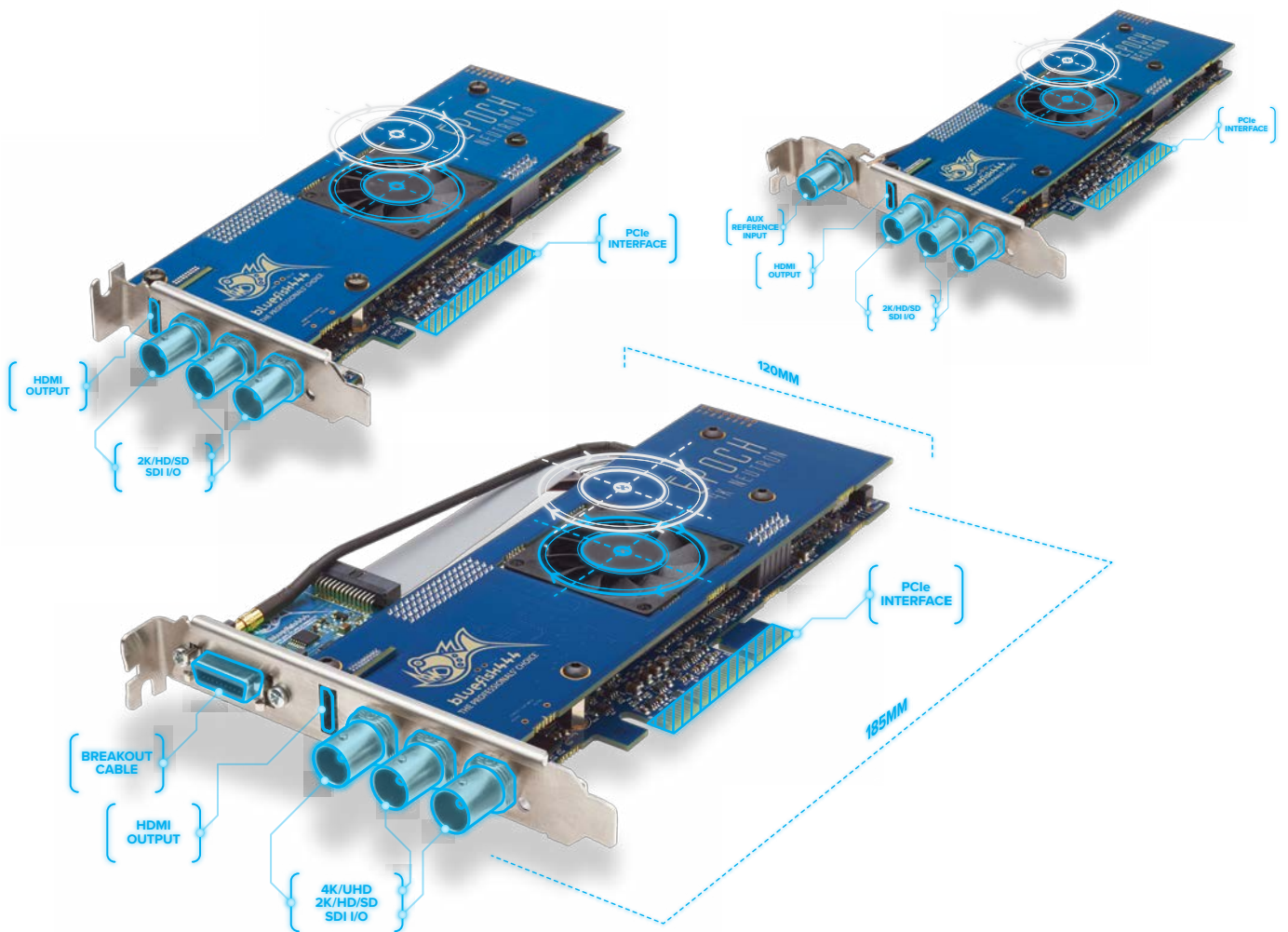




ÉPOCH NEUTRON RANGE

DELIVER THE HIGHEST QUALITY 4K/2K/HD SDI VIDEO



INTEGRATE BLUEFISH444 INTO THE FOLLOWING VERTICAL MARKETS





ALL CARDS IN THE BLUEFISH444 EPOCH | NEUTRON RANGE COME WITH THE FOLLOWING FEATURES:



Bi-directional I/O's provide unrivalled flexibility with industry standard BNC video connectors each allowing 3G/HD/SD-SDI inputs or outputs.



Thunderbolt Expansion Chassis Compatibility with popular manufacturers.



UHD HDMI Monitoring supports and extends to UHD resolutions.*

**UHD resolutions available with Epoch | 4K Neutron models only. Epoch | Neutron has a maximum resolution of HD.*



Low-latency Video Keyer allowing video layers to be combined in hardware with just microseconds of delay.



Maintaining a 12-bit processing pipeline means that 4096 discrete values of red, green & blue are maintained per pixel; that's 4 times the colour precision of traditional 10-bit processing!



Maximum Connectivity including RS-422, 8 channels of AES EBU Audio, 2 channels of analogue audio, and auxilliary genlock.



Maintaining the highest quality RGB <=> YUV includes a fully programmable 4 x 4 x 33-bit colour matrix colour space conversion.



Primary Hardware Colour Corrector using the Bluefish444 programmable matrix combined with the on-board 1D LUTs.



HD SD RANGE

**EPOCH
NEUTRON**

EB3007B
\$1,995

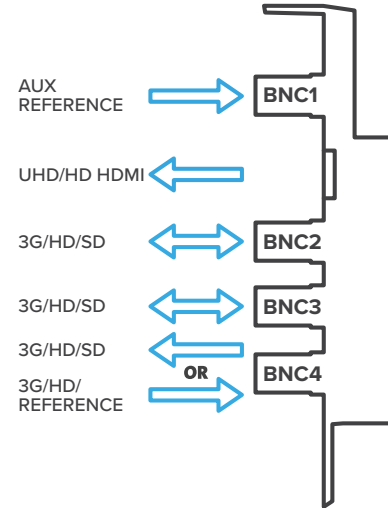
- 3 x HD/SD SDI
- 2K/HD up to 30 fps
- HD HDMI Preview
- Full-height, Half-length PCIe
- AUX Reference Input BNC

3G RANGE

**EPOCH
4K NEUTRON**

EB3006B
\$2,695

- 3 x 3G/HD/SD-SDI
- 4K/UHD up to 30 fps
- UHD/HD HDMI Preview



HD SD RANGE

**EPOCH
NEUTRON**

EB3007C
\$2,095

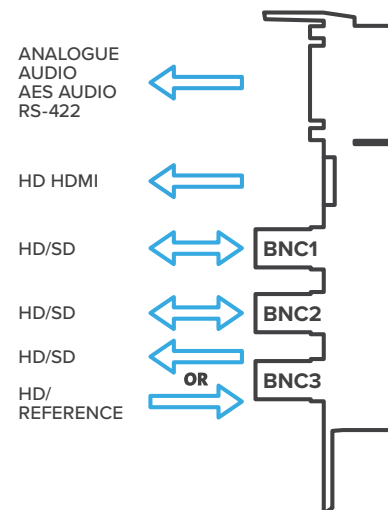
- 3 x HD/SD SDI
- 2K/HD up to 30 fps
- HD HDMI Preview
- Full-height, Half-length PCIe
- AES / ANA / RS-422 / AUX Reference Input

3G RANGE

**EPOCH
4K NEUTRON**

EB3006C
\$2,795

- 3 x 3G/HD/SD-SDI
- 4K/UHD up to 30 fps
- UHD/HD HDMI Preview



HD SD RANGE

**EPOCH
NEUTRON LP**

EB3007F
\$1,995

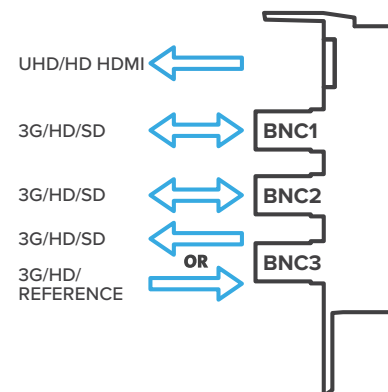
- 3 x HD/SD SDI
- 2K/HD up to 30 fps
- HD HDMI Preview
- Low-profile, Half-length PCIe

3G RANGE

**EPOCH
4K NEUTRON LP**

EB3006F
\$2,695

- 3 x 3G/HD/SD-SDI
- 4K/UHD up to 30 fps
- UHD/HD HDMI Preview



FEATURE	EPOCH NEUTRON		EPOCH NEUTRON LP	EPOCH 4K NEUTRON		EPOCH 4K NEUTRON LP
Part Number	EB3007B	EB3007C	EB3007F	EB3006B	EB3006C	EB3006F
MSRP (USD)	\$1,995	\$2,095	\$1,995	\$2,695	\$2,795	\$2,695
Max number of Bi-directional SDI I/Os	3		3	3		3
SD-SDI/1.5G HD-SDI/Dual Link 1.5G (4:2:2:4/4:4:4:4)	YES		YES	YES		YES
3G-SDI (Level A+B)/Dual Link 3G (Level A+B)	NO		NO	YES		YES
Quad Link 1.5/Quad Link 3G (Level A+B)	NO		NO	NO		NO
HD HDMI Preview	YES		YES	YES		YES
UHD/HD HDMI Preview	NO		NO	YES		YES
Half-length, Full-height PCIe	YES		NO	YES		NO
Half-length, Low-profile PCIe	NO		YES	NO		YES
Reference Input BNC	YES		YES	YES		YES
Dedicated AUX Reference Input	YES	NO	NO	YES	NO	NO
Breakout Cable 8 x AES Audio I/O, 2 x Analogue Audio Output, RS-422, Auxiliary Reference Input	NO	YES	NO	NO	YES	NO

Please visit bluefish444.com/neutron for more information on available options.

BLUEFISH444 SOFTWARE



IngeStore

IngeStore

- 4 channels 3G/HD/SD capture
- Free Uncompressed, DVCPro, DVHD codecs
- Optional codecs are available
- Optional Edit-While-Record workflows
- Optional REST API and HTTP client



IngeStream

IngeStream

- Multi-channel 3G/HD/SD
- SDI to NDI streaming



SDK

Bluefish444 SDK

- Allows developers to integrate Bluefish444 video cards
- Available across Windows, macOS and Linux systems
- Easy-to-follow sample apps with C interface
- DirectShow, GPUDirect, DirectGMA plus more

CROSS-PLATFORM SUPPORT WITH INDUSTRY-LEADING 3RD-PARTY SOFTWARE



For a comprehensive and up-to-date list of supported software, visit bluefish444.com/software

Bluefish444 | Telephone: +61 3 9682 9477 | **Fax:** +61 3 9328 2031 | info@bluefish444.com
 For worldwide reseller and distributor contact information, please go to bluefish444.com/contacts

