

Bluefish444 Hardware Compatibility
Systems

HP XW8200

Thursday, December 09, 2004

Tested Configurations;

Configuration 1:	HD/SD Dual link 4:4:4 10 bit RGB I/O	pg 4
Configuration 2:	HD/SD 10 bit YUV and Premiere Pro,	pg 6

HP XW8200



Base Hardware and Software Configuration.

Product	HP XW8200
RAM	4GB DDR2400 3200
CPU	2 x 3.4 GHz Intel Xenon CPU with 64MRT support
Graphics 1	PCI-E ATI X800 XT
Graphics 2	PCI-E Nvidia FX1300
System drive	WD SATA 120GB
OS	Windows XP Professional SP2/ SP1a

BIOS versions.

Motherboard Bios	1.08
LSI SCSI (Onboard)	5.10.02

Drivers Installed (in installation order).

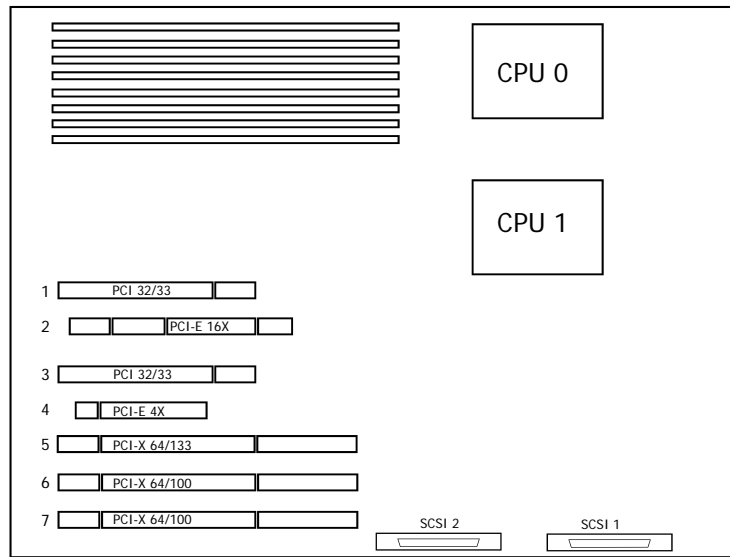
Windows XP	Service pack 2/1a
Intel chipset drivers	6.21.1002 rev A (Download from HP site for 8200)
Audio Driver	5.12.1.3890
LAN Driver	7.4.19.0
Graphics Card Driver	ATI CATALYST 4.10, 10/12/04 Nvidia 61.82 Rev. A

Supported Resolutions and Pixel Formats.

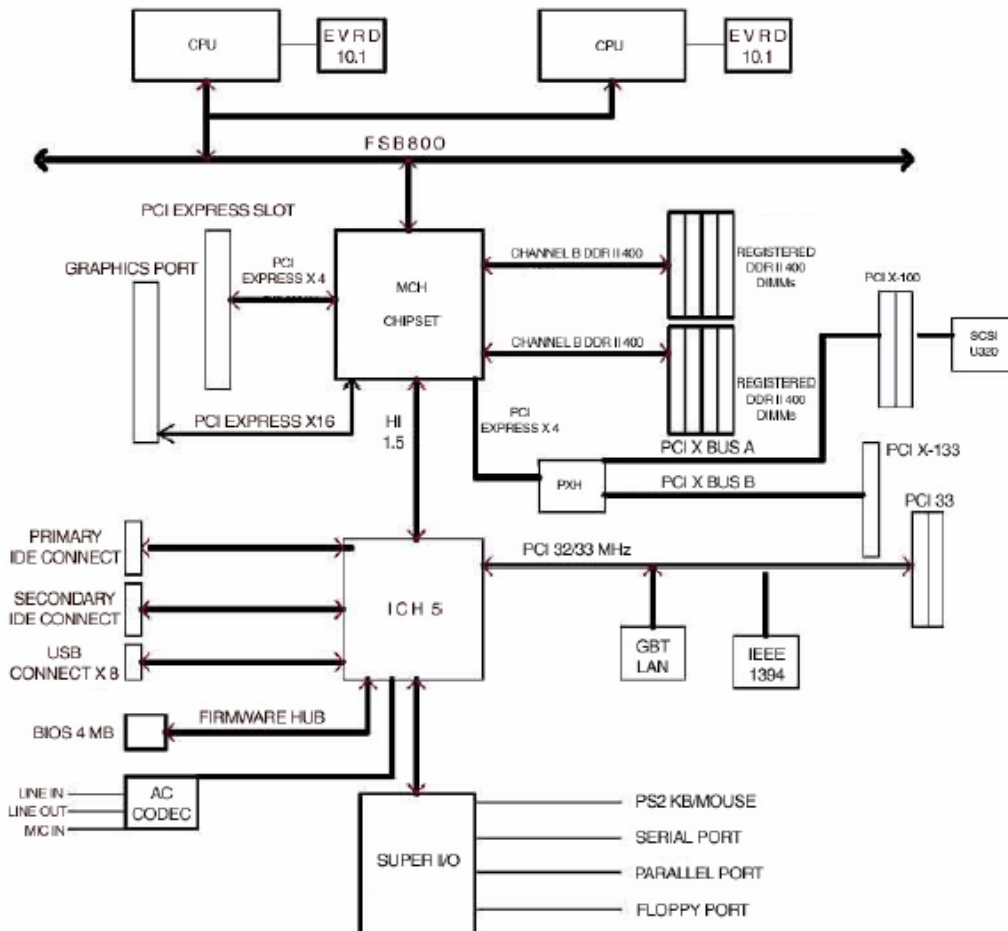
Resolution*	Supported Pixel formats for HP8200*			
	10 bit RGB (Cineon, DPX)	10 bit YUV (QuickTime V210)	8 bit RGB (TGA, Tiff 32bit)	8 bit YUV (AVI, WMV)
PAL	Yes	Yes	Yes	Yes
NTSC	Yes	Yes	Yes	Yes
1080 50	Yes	Yes	Yes	Yes
1080 59.94	Yes	Yes	Yes	Yes
720 60	Yes	Yes	Yes	Yes
720 59.94	Yes	Yes	Yes	Yes
1080 24	Yes	Yes	Yes	Yes

*Support for different resolutions and pixel formats will require different configurations. Please refer to the configuration guide for further information.

The following image shows the HP 8200 connectors and sockets on the HP Workstation xw8200.



The following image shows the HP 8200 block diagram outlining onboard system devices and buss relationships.



Configuration 1: HD/SD Dual link 4:4:4 10 bit RGB I/O

The following configuration supports uncompressed 10 bit RGB SD and HD files. 10 RGB DPX, Cineon Linear/log based capture and playback. Excellent support for high end editing, 2K/HD/SD conforming, multi file format playback, RGB based compositing and effects solutions such as Eyeon Digital Fusion.

Controller: Adaptec 39320 Dual channel u320,
Adaptec 39320A Dual channel u320,

Certified For:
High Definition 4:4:4 10 bit RGB, 4:2:2 10 bit YUV,
4:4:4:4 8 bit RGB, 4:2:2 8 bit YUV

Standard Definition 4:4:4 10 bit RGB, 4:2:2 10 bit YUV,
4:4:4:4 8 bit RGB, 4:2:2 8 bit YUV

Solutions: HD/SD Premiere Pro 10 bit YUV,
Drastic Technology QuickClip Pro
Symmetry SD/HD capture and playback station,
Solution for DDR's and multi format capture and playback,

Supported Cards: SD|Envy, Wildblue|AV, SD|Pride, HD|Fury, HD|Lust, Iridium|XP

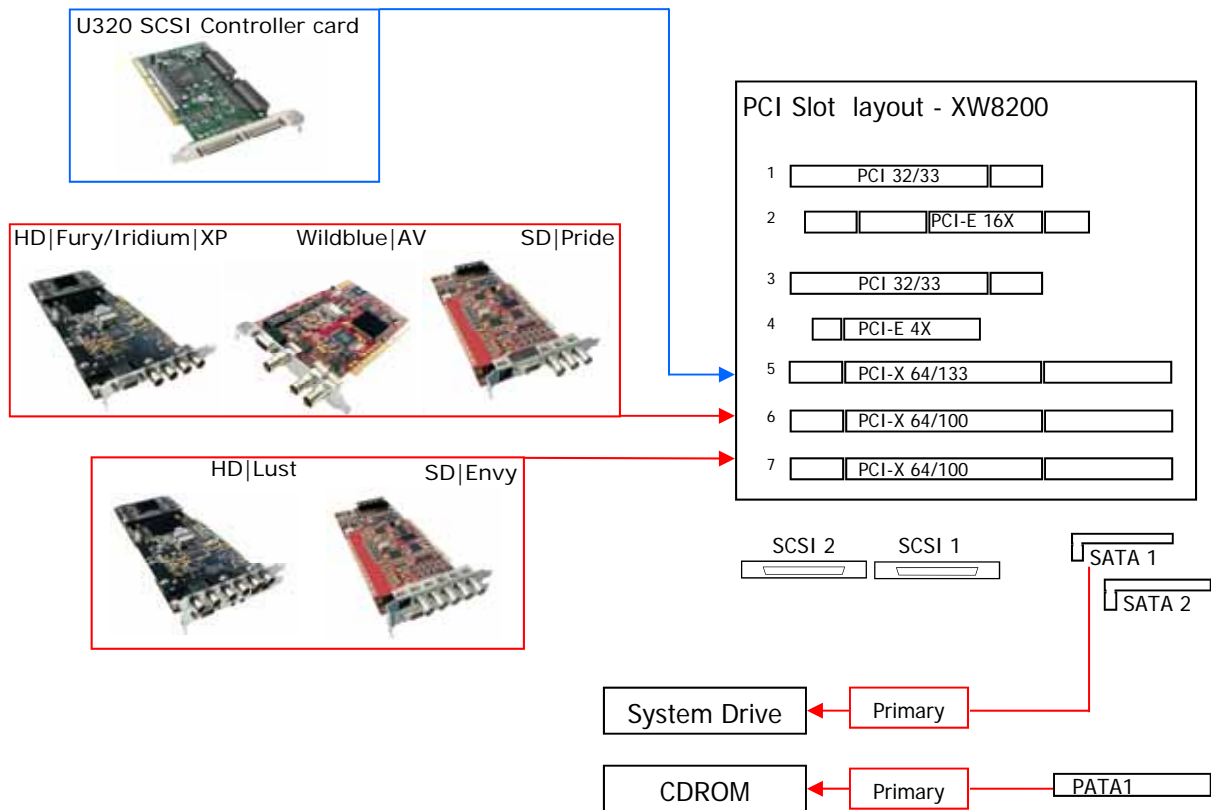
Controller Driver Version: Adaptec Ultra320 Family Manager Set v3.00S4,

Controller Bios version: 4.10.1

Hard Drives: 8 X 15k Seagate U320 SCSI hard drives,

RAID Configuration: Software RAID 0,

Installed Slots:



Iridium XP and HD|Fury have identical system configuration requirements.



Resolution	Supported Pixel formats for XW8200 and tested Adaptec controller cards.			
	10 bit RGB (Cineon, DPX)	10 bit YUV (QuickTime V210)	8 bit RGB (TGA 32bit)	8 bit YUV (AVI, WMV)
Pal	Yes	Yes	Yes	Yes
NTSC	Yes	Yes	Yes	Yes
1080 50	Yes	Yes	Yes	Yes
1080 59.94	Yes	Yes	Yes	Yes
720 60	Yes	Yes	Yes	Yes
720 59.94	Yes	Yes	Yes	Yes
1080 24	Yes	Yes	Yes	Yes

Supported Pixel Formats and Resolutions:

Configuration 2: HD/SD 10 bit YUV and Premiere Pro,

The following configuration supports SD/HD capture and playback of 10 bit uncompressed YUV v210 QuickTime. This includes Bluefish444 Premiere Pro support .
 Capture and playback of SD 10 bit RGB, YUV and offline editing is also supported. Playback of 10 bit RGB SD and HD files is support for applications such as Eyeon Digital Fusion.

Controller: Onboard LSI dual channel 1030 controller,

Certified For:
 High Definition 4:2:2 10 bit YUV, 4:2:2 8 bit YUV

Standard Definition 4:4:4 10 bit RGB, 4:2:2 10 bit YUV, 4:4:4:4 8 bit RGB, 4:2:2 8 bit YUV

Solutions: HD/SD Premiere Pro 10 bit YUV,
 Symmetry SD/HD capture and playback station (YUV only for HD resolutions,

Supported Cards: SD|Envy, Wildblue|AV, SD|Pride, HD|Fury, HD|Lust, Iridium|XP

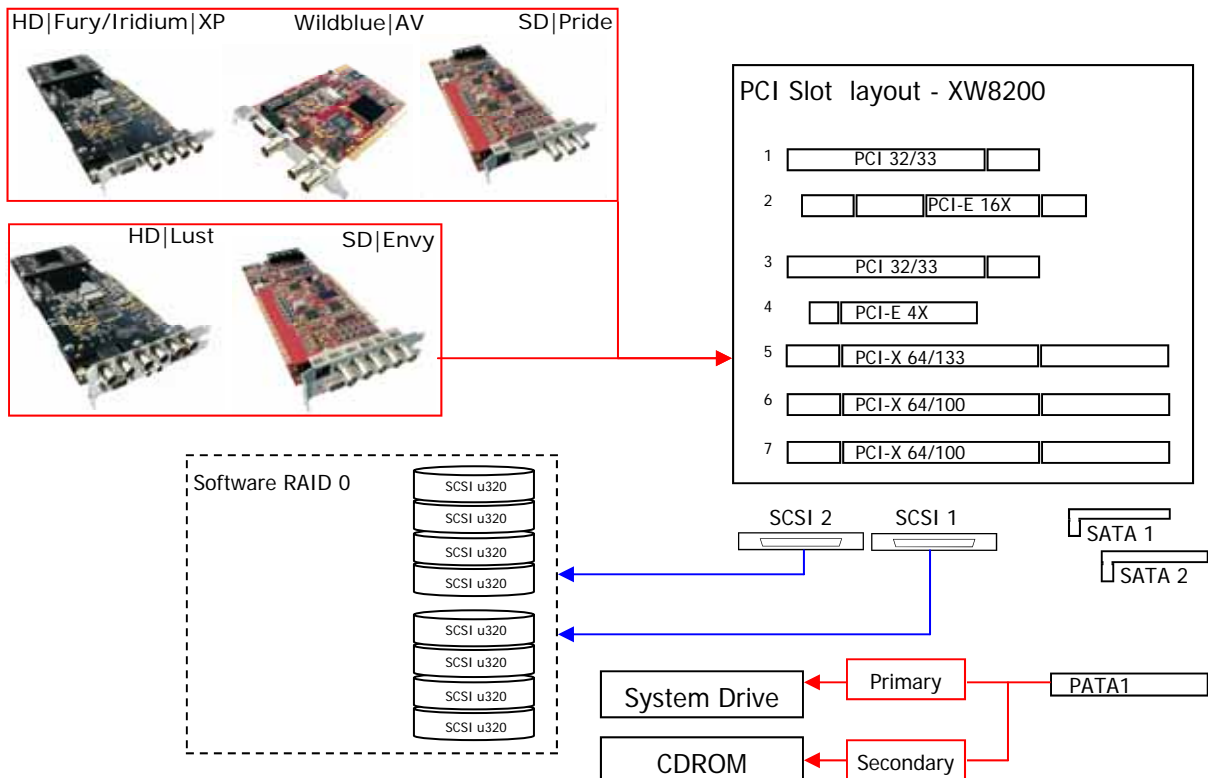
Controller Driver Version: LSI Logic Ultra320 SCSI Adapters Driver for Windows XP 1.08.12 Rev. A,

Controller Bios version: 1.01. Rev. A,

Hard Drives: 8 X 15k Seagate U320 SCSI hard drives,

RAID Configuration: Software RAID 0,

Installed Slots





Resolution	Supported Pixel formats for Adaptec u320			
	10 bit RGB (Cineon, DPX)	10 bit YUV (QuickTime V210)	8 bit RGB (TGA 32bit)	8 bit YUV (AVI, WMV)
Supported Pixel formats and Resolutions Summary.				
PAL	Yes	Yes	Yes	Yes
NTSC	Yes	Yes	Yes	Yes
1080 50	X	Yes	X	Yes
1080 59.94	X	Yes	X	Yes
720 60	X	Yes	X	Yes
720 59.94	X	Yes	X	Yes
1080 24	X	Yes	X	Yes

Controller type & slot vs Supported Resolution & Pixel format	Resolution and Pixel format				
	HDTV 1080 (RGB)	HDTV 1080 (YUV)	HDTV 720 (RGB)	HDTV 720 (YUV)	SDTV PAL & NTSC (RGB & YUV)
Controller					
Adaptec 39320	CC=Slot 5 BF= Slot 6/7	CC=Slot 5 BF= Slot 6/7	CC=Slot 5 BF= Slot 6/7	CC=Slot 5 BF= Slot 6/7	CC=Slot 5 BF= Slot 6/7
Adaptec 39320A	CC=Slot 5 BF= Slot 6/7	CC=Slot 5 BF= Slot 6/7	CC=Slot 5 BF= Slot 6/7	CC=Slot 5 BF= Slot 6/7	CC=Slot 5 BF= Slot 6/7
LSI 1030 Onboard	X	BF= Slot 5	X	BF= Slot 5	BF= Slot 5
SATA	X	X	X	X	Untested BF= Slot 5

CC = Control card device.
BF = Bluefish444 device.

- All test where performed using;
- Bluefish444 Symmetry version 2.03.
 - Adobe Premiere Pro 1.5.